



MX Series Pool & Spa Heater

Genus IV

INSTALLATION AND OPERATING INSTRUCTIONS



Melbourne: 03 8796 8600
Sydney: 02 9853 2100
Brisbane: 07 3308 5400

Gold Coast: 07 5552 2600
Townsville: 07 4750 3100
Adelaide: 08 8152 7600

Perth: 08 9350 2600
sales@astralpool.com.au
www.astralpool.com.au

A division of
FLUIDRA
The Fluidra logo graphic consists of four overlapping circles in shades of blue and green.

CONTENTS

Introduction

Introduction	3
Notice to Installers	3
Safety Rules	3

Operation

Lighting Instructions	4
Operating Instructions	4
Turning Gas Off	4
Chemical Balance	4
Corrosion Prevention in Heaters	5
Digital Thermostat Operation	6
Fault Indication	7

Maintenance

Maintenance Instructions	8
Energy saving Tips	8
Winter Operation	8

Installation

Flow Rates	9
Water Connections	9
Plumbing Diagram	9
Heater Dimensions	10
Indoor Installation	10
Ventilation	11
Clearances	12
Electrical Connection	12
Gas Connection	12
Pressure Switch Adjustment	13
Starting the Heater	14
Testing Burner Pressure	14

Gas Conversion

Burner Conversion	15
Gas Pipe Sizing Tables	16

Troubleshooting

Fault Finding and Remedies	17
----------------------------	----

Wiring diagrams

MX Series (except MX 500)	18
MX 500 - Honeywell Ignition control	19
MX 500 - RAM Ignition Control	20

Warranty

Terms and Conditions	23
----------------------	----

INTRODUCTION

Congratulations on your purchase of a Hurlcon Pool and Spa Heater. Proper installation and service of your new heating system and correct chemical maintenance of the water will ensure years of enjoyment. The Hurlcon MX Series Heater is an efficient gas fired pool and spa heater. It is equipped with features that take advantage of new technology developed exclusively by AstralPool.

The Hurlcon MX Series Pool Heater can safely be connected to PVC pipe and has a built in balanced flue for outdoor installation. It accepts high flow rates which help the heater run cooler, giving greater performance and long life. In addition, the Hurlcon MX Series Pool Heater is equipped with electronic start up and an accurate electronic thermostat to ensure ease of use and accurate temperature control. The electronic display tells at a glance the operational status of the heater.

Note:

The appliance is not intended for use by young children or infirm person without supervision. Please ensure that young children are supervised to ensure that they do not play with the appliance.

NOTICE TO INSTALLERS

This appliance must be installed by an authorized person.

This appliance must be installed in accordance with the installation instructions, local gas fitting regulations, the AGA Installation Code AS5601 and any other relevant statutory authorities.

Refer to data plate for details of gas type, gas consumption and burner pressure.

SAFETY RULES

1. Spa or hot tub water temperature should never exceed 40°C.
2. Drinking of alcoholic beverages before or during spa or hot tub use can cause drowsiness which could lead to unconsciousness and subsequently result in drowning.
3. Pregnant women beware! Soaking in water above 38°C can cause foetal damage during the first three months of pregnancy.
4. Before entering the spa or hot tub, the user should check the water temperature with an accurate thermometer, spa or hot tub thermostats may err in regulating water temperatures by as much as 2°C.
5. Persons with a medical history of heart disease, circulatory problems, diabetes or blood pressure problems should obtain their physician's advice before using spas or hot tubs.
6. Persons taking medications which induce drowsiness, such as tranquillisers, antihistamines or anticoagulants, should not use spas or hot tubs.

WARNING: Should overheating occur or the gas supply fail to shut off, turn off the manual gas control valve to the appliance. Do not use this heater if any part has been under water.

LIGHTING INSTRUCTIONS

For your safety – read before lighting

This appliance is equipped with an ignition device which automatically lights the pilot. Do not try to light the pilot by hand.

BEFORE OPERATING smell all around the appliance area for gas. Be sure to smell next to the floor because some gas is heavier than air and will settle on the floor.

WHAT TO DO IF YOU SMELL GAS. Do not try to light any appliance. Do not touch any electrical switch. Do not use any telephone in your building. Immediately call your gas supplier from a neighbor's house.

DO NOT PLACE ARTICLES ON OR AGAINST THIS APPLIANCE

DO NOT USE OR STORE FLAMMABLE MATERIALS NEAR THIS APPLIANCE

DO NOT SPARY AEROSOLS IN THE VICINITY OF THIS APPLIANCE WHILST IT IS IN OPERATION.

OPERATING INSTRUCTIONS

1. STOP! Read the safety information above.
2. Turn off electric power to appliance.
3. This appliance is equipped with an ignition device which automatically lights the pilot. Do not try to light the pilot by hand.
4. Wait five minutes to clear out any gas. If you then smell gas, STOP! Refer to instructions above.
5. Turn filtration pump on.
6. Turn on power to the heater and press the pool/spa button to select pool or spa mode.
7. Set thermostat to desired setting and press ON/OFF switch to ON.
8. The heater will ignite in around 10 seconds.
9. If the appliance will not operate, follow instructions 5 to 7 above. If the appliance still does not ignite, call your service technician.

TO TURN GAS OFF TO APPLIANCE

1. Turn off all electrical power to the appliance.
2. Turn off gas tap in gas line prior to heater.

CHEMICAL BALANCE

It is imperative that correct chemical balance be maintained in your pool and spa water, otherwise corrosion of your heater may occur. **Corrosion of the heat exchanger voids warranty.** Your local pool shop specialist or spa retailer can advise correct chemical balance. Your water should be checked and maintained regularly by a pool water professional. As a guide the following parameters may be used.

pH	7.6 to 7.8
Total Alkalinity	80 to 120 ppm
Calcium Hardness	150 to 250 ppm
Salinity	4000ppm

You should test your water chemical balance at least on a weekly basis.

Excessive sanitiser can damage your heater. Chlorine should not exceed 3 ppm and bromine should not exceed 5 ppm. Salt chlorinators, especially when used on spa pools or indoor or covered pools, can easily produce excessive chlorine levels which will damage the heater internals.

CORROSION PREVENTION IN HEATERS

All pool and spa heaters use copper or copper nickel to make their heat exchangers as it is the most efficient material in transferring heat from the combustion chamber into the water. The typical life expectancy of a well maintained pool/spa heater is between 8 and 15 years.

Often the same heat exchanger used in residential and commercial boilers and hot water systems will have a life expectancy of 20 years.

The addition of sanitisers (Chlorine, Bromine etc) and other water balancing and conditioning chemicals can increase the rate of wear and tear on the heat exchanger and associated parts in your heater.

There are three most common reasons for heat exchanger corrosion which can be avoided with a little care and attention.

1. **Excessive Sanitiser.** This means too much Chlorine or Bromine in the water. Be careful, if the level of Chlorine or Bromine is excessively high your test kit (and the pool shops) may not read accurately or indeed may show a nil reading. Any time a salt chlorinator is operating for extended periods, (when heating the swimming pool from cold), particularly if the weather is overcast or the pool enclosed or covered, the Chlorine level may exceed normal levels. When heating a Spa Pool, turn the chlorinator down or off for the duration of the heating period.
2. **Out of balance water.** The water balance is a combination of pH, total alkalinity, Calcium hardness and temperature. These measurements must be at the correct levels to maintain balanced water and effective sanitation of your pool. Balanced water will help prevent corrosion of your heater. Your pool shop or service professional can test and balance your water.
3. **The addition of acid to lower pH.** Acid must always be added in small quantities and spread over the pool surface evenly, not added in to the skimmer. Do not add a litre at a time; add a cupful each day to lower your pH.
4. **Never add chemicals to skimmer** - dilute and circulate as far away as possible from skimmer.

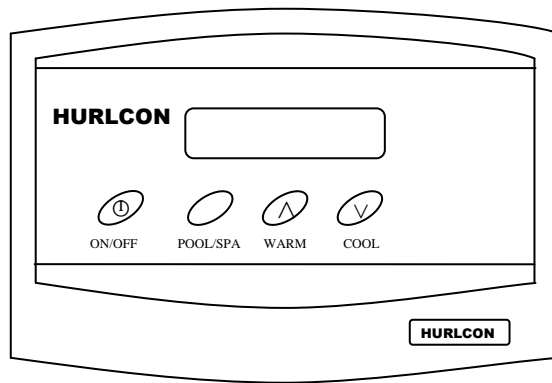
If you have a **salt chlorinated** INDOOR pool or COVERED pool be very careful of the level of Chlorine being produced. If you use a salt chlorinated spa be very careful of the level of Chlorine as the Chlorinator is usually sized for the pool and therefore should be switched off when heating the spa. Leaving the chlorinator on can raise the chlorine level very rapidly in a small volume of water.

These comments are intended as a guide only and are not definitive answers or recommendations on pool water chemistry. Hurlcon's intention is to provide a little understanding of the potential problems of water chemistry and the dangers of corrosion to heaters (and other pool equipment and fittings).

You should always seek the advice of your local pool shop professional and provide him with as much information and feedback as possible when analysing your pool and spa water and obviously be sure to tell him you have a heater connected to the system even though it may not be in constant use.

YOUR WATER SHOULD BE ADJUSTED & BALANCED PRIOR TO ANY CORRODED PARTS BEING REPLACED.

DIGITAL THERMOSTAT OPERATION



DESCRIPTION

The sophisticated digital thermostat provides temperature read out, set point temperature and operating status of the heater. The electronic display indicates the operational status of the heater and any fault conditions.

TEMPERATURE DISPLAY

The temperature display indicates water temperature in the inlet of the heater. Therefore the pump must be operating for an accurate pool or spa water temperature to be displayed.

Comfortable pool temperature is between 26°C and 30°C. Normal spa temperature is between 36°C and 38°C. To select your desired temperature press the up or down button repeatedly until the desired temperature is reached.

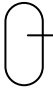


To prevent rapid cycling of the heater, the thermostat has an inbuilt time delay which prevents the heater from turning on for two minutes after the set point has been reached. If the time delay is activated, the symbol "L" will be displayed. This is part of normal operation.

The thermostat can be set to temperatures between 10°C and 40°C. It also incorporates several safety features including a 45°C high limit function to prevent overheating of the pool or spa. On simultaneous shut down of the circulating pump and heater, the water within the heater may exceed 45°C for a short period. If the pump and heater are restarted during this period, the thermostat will go into a standby mode and prevent the heater from relighting until the temperature within the heater has dropped below the set temperature.

Should the thermostat fail to stop the heater at the set point or at 40°C, there are three temperature limiting safety devices designed to lock the heater out and prevent further heating. A lock out condition is indicated by the symbols F1 or F2. To reset a lock out condition, turn the power off for five seconds.

FAULT INDICATION

Under fault conditions the thermostat display will indicate a set of alpha numeric symbols to indicate the status of the heater. The meaning of each symbol and action to be taken are listed as follows:

SYMBOL	MEANING	ACTION
Temp Display	Unit has power.	No action.
F0	Heater locked off, thermistor wire disconnected or water at 0°C (freeze conditions).	If water temperature reads greater than 0°C, phone for service.
F1	Thermostat reads greater than 45°C.	Allow water to cool, turn heater off then on again.
F2	Mechanical Hi Limit greater than 45°C.	Allow water to cool, turn heater off then on again.
F3	Thermistor fault	Phone for Service
F4	Flame rollout detected	Phone for Service
L	Heater locked out on time delay for 2 minutes.	No action. Heater will Automatically reset after time delay. Or switch off then on again for immediate ignition.
	Pump operating & sufficient water pressure to operate heater	No action
	Thermostat calling for heat. Electronic Ignition operating.	No action, heater should ignite after small time delay.
	Burner system has ignited and is operating.	No action

MAINTENANCE

It is recommended that you check the following at least every six months and at the beginning of every swimming season.

1. Examine the balanced flue or indoor draught diverter. Make sure there are no obstructions to the flow of air to, or flue products from, the appliance.
2. Visually check the main burner and pilot flames. If the flame appears yellow, the burner should be cleaned by a qualified service technician.
3. Keep the heater area clear and free of combustibles and flammable liquids. Chlorine should not be stored in the vicinity of the heater. Chlorine vapours, when drawn through a heater, can rapidly cause corrosion of the heat exchanger.
4. Keep the heater area free from garden refuse and debris. This will help prevent insects nesting in the unit and ensure extended life and reliability of your heater.

ENERGY SAVING TIPS

1. If possible, keep pool or spa covered when not in use. This will not only cut heating costs, but will also keep dirt and debris from settling in the pool and conserve chemicals.
2. Reduce pool thermostat setting to 28°C or lower. This is accepted as a comfortable and healthy swimming temperature.
3. Use an accurate thermometer.
4. Set timeclock to start filtration and circulation system no earlier than daybreak. The pool loses less heat at this time.
5. For pools that are only used on weekends, it is not necessary to leave the thermostat set at 28°C. During the week, lower it by an amount that can easily be achieved in one day (generally 5°C to 8°C).
6. During the winter or while on vacation, turn the heater off.
7. Set up a regular program of preventative maintenance for the heater each new swimming season. Check heat exchanger, controls, burner operation etc.

WINTER OPERATION

If the pool won't be used for a month or more, turn the heater off at the main gas valve. For areas where there is no danger of freezing, water should circulate through your heater all year long even though you are not heating your pool.

Where freezing is possible, it is necessary to drain the water from the heater. This may be done by loosening the inlet or outlet barrel union. If the heater is below water level, isolate it from the pool first by closing shut off valves before and after the heater.

CAUTION: If the heater has been drained for freezing conditions, do not turn on until the system is circulating water.

INSTALLATION

THIS APPLIANCE MUST BE INSTALLED BY AN AUTHORISED PERSON. Refer to heater data plate for specifications of gas type, gas consumption, burner pressure and water pressure.

This appliance must be installed in accordance with local regulations and A.G.A. Installation Code AS5601.

FLOW RATES

The Hurlcon MX Series Pool Heater requires a minimum of 150 litres per minute flow and the maximum permissible flow rate is 450 litres per minute. For flow rates in excess of 450 litres per minute, an external by-pass valve must be fitted.

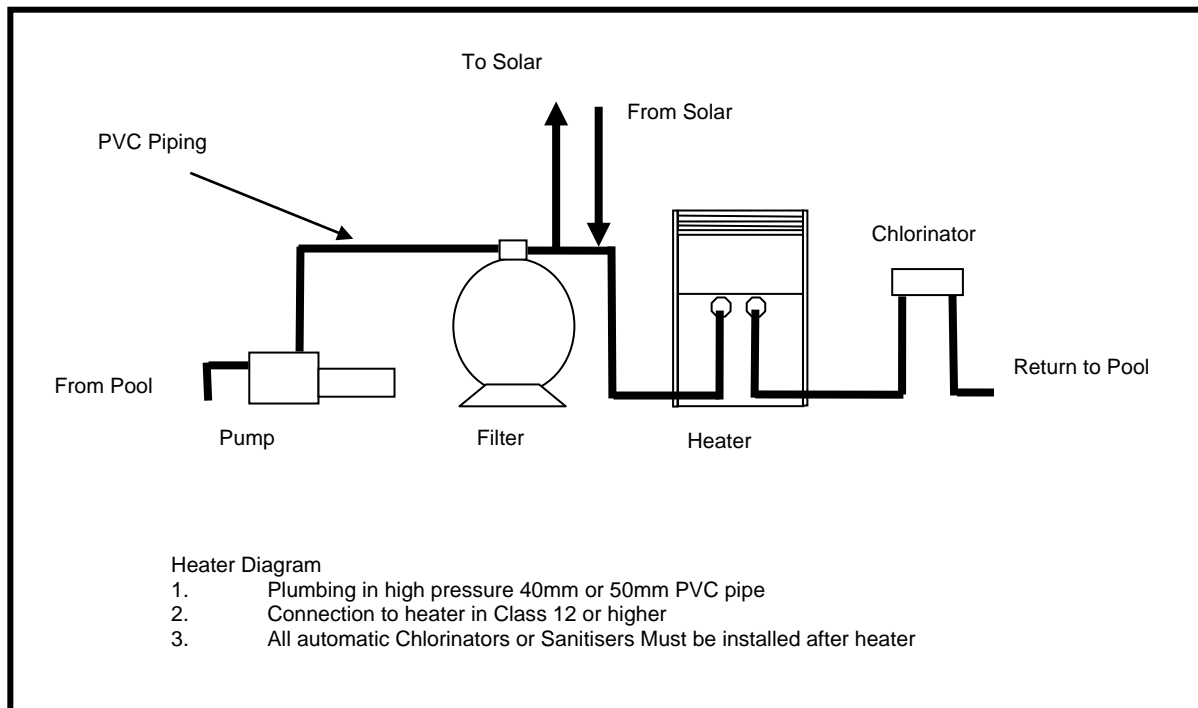
WATER CONNECTIONS

The heater should always be installed after the pump and filter. The water connections are located on the right hand side of the heater. Left hand connection models are available by special order. The inlet and outlet are clearly marked. Water connections require 50 mm PVC glue in plumbing.

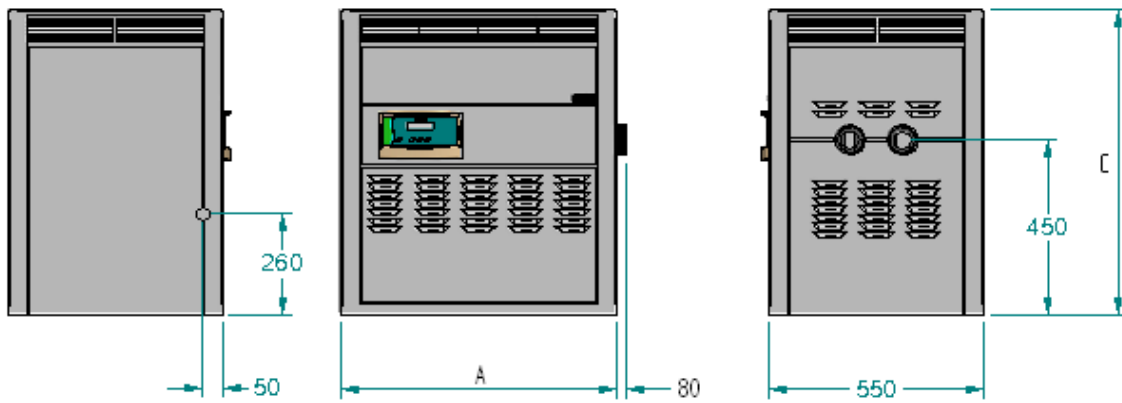
All automatic sanitising devices must be installed after the heater and in such a way that the sanitiser cannot enter the heater without first mixing with the water in the pool or spa. Sanitisers that are connected prior to the heater will void heater warranty.

The Hurlcon MX Series Pool Heater incorporates a balanced flue terminal and is suitable for outdoor installation.

PLUMBING DIAGRAM



HEATER DIMENSIONS



Model	Dimension A	Dimension C
MX 125	370mm	790mm
MX 150	460mm	790mm
MX 200	640mm	790mm
MX 250	710mm	790mm
MX 300	775mm	790mm
MX 400	910mm	790mm
MX 500	1100mm	930mm

INDOOR INSTALLATION

If the MX Heater is to be installed indoors, an indoor draught hood kit must be purchased from AstralPool and installed on the Hurlcon MX Heater to convert it to an indoor model.

Product code numbers for draught hoods are:

Heater model	Indoor top model	Flue size	Part number
MX 125	DH 10MX	150mm	10982
MX 150	DH 15MX	150mm	10983
MX 200	DH 20	175 mm	10966
MX 250	DH 25	175 mm	10964
MX 300	DH 30	200 mm	10967
MX 400	DH 40	250 mm	10965
MX 500	DH 50	300 mm	10968

A flue no smaller than the draught diverter diameter must be installed and terminated with an approved gas flue cowl (**not a Chinaman's hat**) 600mm above any roofline that is within 1.5 metres horizontally from the flue.

VENTILATION

When installing the heater indoors, it is imperative that an adequate supply of fresh air is provided for combustion. Failure to provide adequate ventilation voids all warranties and may be a danger to persons or property.

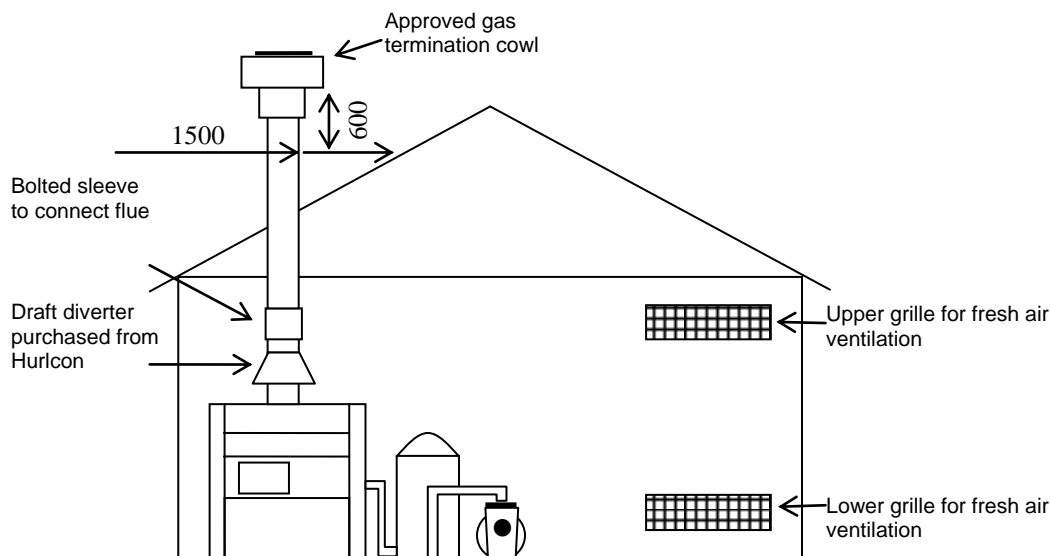
Two permanent openings shall be provided directly to outside. The openings shall be located to ensure the distance between the top of the upper opening and the ceiling of the room or enclosure, and the distance between the bottom of the lower opening and the floor of the room or enclosure does not exceed 5% of the height of the room or enclosure.

The minimum vertical dimension of any free ventilation opening shall be 6 mm.

The minimum free ventilation area provided by each opening shall be:

MODEL	AREA
MX 125	35,000 mm ²
MX 150	50,000 mm ²
MX 200	65,000 mm ²
MX 250	80,000 mm ²
MX 300	100,000 mm ²
MX 400	130,000 mm ²
MX 500	160,000 mm ²

The following diagram is provided as a guide only. All flueing and installation work must be carried out by an authorized person. Flueing must conform to local regulations and to A.G.A. installation code AS5601. Care must be taken to provide the correct ventilation and correct flueing materials in close proximity to combustible surfaces.



An indoor draught diverter must be purchased from Hurlcon and fitted to unit in accordance with AstralPool's instructions and Installation Codes before the heater can be enclosed.

Do not install spa blowers in the same room as a gas heater. This is potentially dangerous to spa users.

Do not store chemicals or fuel in the same room as the gas heater. This may cause fire or explosion. When installing in a garage the Hurlcon MX Series Heater must be installed 450 mm above floor level.

CLEARANCES

The heater must be installed at least 500 mm from any combustible surface. Clearances must comply with AS5601/AG601.

Clearances from non combustible surfaces are:

	Internal	External
Front	500mm	500mm
Both sides	150mm	250mm
Rear	150mm	250mm
Above	N/A	1500mm

Clearances from combustible surfaces are:

	Internal	External
Front	500mm	500mm
Both sides	500mm	500mm
Rear	500mm	500mm
Above	N/A	1500mm

Heater must be installed on a fireproof base.

ELECTRICAL CONNECTION

The heater is supplied with a standard 10 amp 3 pin plug for connection to a 240V 10 amp GPO. The heater incorporates a 240/24 VAC transformer which supplies power to the control circuit. All pool or spa equipment connected to mains power should be protected by an RCD circuit breaker. It is recommended, where possible that the heater is connected to the same time clock or power supply as the circulating pump.

GAS CONNECTION

The gas connection is on the left side of the heater. A 20 mm (25mm for MX 500) F.I. connection is provided for gas line connection. An approved manual shut off valve must be installed in the gas fitting line before the heater and should be sized the same as the gas fitting line to prevent excessive pressure drop in the gas pipe.

The gas fitting line should be installed by an authorised person and comply with local regulations and A.G.A. code AS5601. The gas line from the meter will usually be of a larger size than the gas inlet connection. Therefore a reduction to the heater connection fitting will be necessary. The reduction should be as close to the heater as possible.

Before using the heater, test all connections for leaks using soapy water.

The heater gas valve has a built in pressure regulator and a $\frac{1}{8}$ " pressure test point. On starting the heater, a manometer must be used and burner pressure checked against the heater data plate. The gas valve regulator may need adjustment to correct manifold pressure. Incorrect burner pressure may void warranty.

PRESSURE SWITCH ADJUSTMENT

The Hurlcon MX Series Pool Heater incorporates a water pressure switch which allows the burner to operate only when the circulating pump is operating.

It is imperative that the following be undertaken by the person who is commissioning (first starting) your pool or spa heater. On initial start up of the heater it may be necessary to adjust the water pressure activation switch.

This switch is located at the upper right hand side of the area behind the access door. The pressure switch is designed to allow operation of the heater only when the circulating pump is turned on and there is sufficient water flow through the heater. It must shut the heater down immediately the pump is switched off.

To check the operation of the switch:

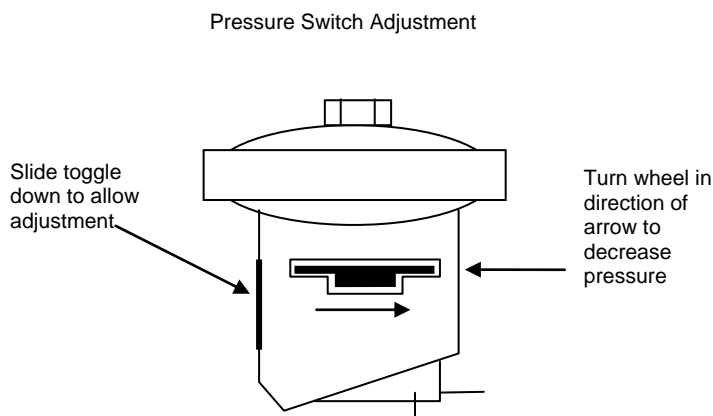
1. Connect the heater to mains power supply. The thermostat should not yet display "θ".
2. Turn on pump. The thermostat should now display "θ".
3. Turn pump off. The thermostat should no longer display "θ".
4. If display does not respond in this way, adjust the pressure switch as detailed below. If display responds correctly, perform a final check with the heater operating.- See the section below titled "Starting the heater"

To adjust pressure switch:

- a. Connect the heater to mains power supply
- b. Turn pump off.
- c. Slide toggle on side of pressure switch down to allow knurled wheel to be turned.
- d. Turn knurled wheel anti-clockwise (as viewed from above) until "θ" is displayed.
- e. Turn knurled wheel clockwise until "θ" disappears.
- f. Continue to wind clockwise for a further half turn (180 degrees).
- g. When the switch is correctly set, slide the toggle up to lock the knurled wheel in position.

WARNING: If the pressure switch cannot be adjusted correctly, DO NOT OPERATE THE HEATER, contact AstralPool or an Authorised Service Agent for advice.

- a. Perform a final check with the heater operating.- See the section below titled "Starting the heater".



It is imperative that the heater is installed so that it does not operate when the circulating pump stops. Recommended methods to achieve this are:

- a. Correct adjustment of internal pressure switch. Ensure heater does not turn on two or three minutes after circulating pump is turned off.
- b. Interlock power supply of circulating pump and heater so that if timer or power turns circulating pump off, heater is also turned off.
- c. Installation of an external flow switch may be preferred under certain installations where internal pressure switch does not turn heater off when circulator stops.

STARTING THE HEATER

1. Purge gas line of any air and wait five minutes for gas to clear.
2. Turn power to unit on. Thermostat should now operate and indicate water temperature.
3. Turn circulating pump on. Thermostat should display “θ” to indicate water flow.
4. Set thermostat to “ON” and press the “^” button repeatedly until set temperature is greater than water temperature. Thermostat should now display “ ”.
5. After a few seconds, the burner should ignite. Ignition will be confirmed by the symbol “ ”*.
6. While leaving the heater on, turn the pump off and on at 15 second intervals, six times. Make sure the heater turns off and on each time. If it does not, adjust the pressure switch as detailed above.

TESTING BURNER PRESSURE

1. Set thermostat to “OFF”.
2. Remove front access panel.
3. Set up manometer
4. Remove screw from 1/8” brass test point located on outlet side of gas valve or burner manifold
5. Connect manometer tube to test point
6. Set thermostat to “ON” and wait for main burner to ignite
7. Once main burner has ignited, the manometer must indicate the nominal burner pressure listed below.
8. To adjust gas valve regulator, remove regulator adjustment cap and, using a screwdriver, turn plastic bush clockwise to increase, anti-clockwise to decrease burner pressure.
9. When burner pressure is correctly set, set thermostat to “OFF”.
10. Replace regulator adjustment cap.
11. Disconnect manometer.
12. Replace screw and fibre washer in test point.
13. Replace front access panel.

Maximum inlet gas pressure is:

Natural Gas	3.5 kPa
Propane Gas	3.5 kPa
ULPG	3.5 kPa

Nominal burner pressure is:

	MX 125	MX 150	MX 200	MX 250	MX 300	MX 400	MX 500
Natural Gas	0.82 kPa 116Mj/hr 3.4mm dia	0.82 kPa 144Mj/hr 3.3mm dia	0.82 kPa 192Mj/hr 3.3mm dia	0.82 kPa 240Mj/hr 3.3mm dia	0.82 kPa 288Mj/hr 3.3mm dia	0.75 kPa 350Mj/hr 3.3mm dia	0.78 kPa 480Mj/hr 3.3mm dia
Propane Gas	2.50 kPa 96Mj/hr 1.9mm dia	2.50 kPa 140Mj/hr 1.9mm dia	2.50 kPa 190Mj/hr 1.9mm dia	2.50 kPa 240Mj/hr 1.9mm dia	2.50 kPa 280Mj/hr 1.9mm dia	2.50 kPa 350Mj/hr 1.9mm dia	2.50 kPa 470Mj/hr 1.9mm dia
ULPG	2.00 kPa 82Mj/hr 1.9mm dia	2.00 kPa 123Mj/hr 1.9mm dia	2.00 kPa 164Mj/hr 1.9mm dia	2.00 kPa 205Mj/hr 1.9mm dia	2.00 kPa 246Mj/hr 1.9mm dia	2.00 kPa 312Mj/hr 1.9mm dia	2.00 kPa 410Mj/hr 1.9mm dia

GAS CONVERSION

BURNER CONVERSION

1. Turn off gas supply to unit.
2. Turn off power supply to pump and heater.
3. Remove front access panel.
4. Disconnect gas supply from gas valve.
5. Remove the two Phillips head screws from the angle brackets at the end of the manifold tube securing burner assembly to combustion chamber.
6. Disconnect wiring from gas valve and slide complete burner tray out through the access opening.
7. Remove the four s/s bolts securing the injector manifold to the burner tray.
8. Remove burner injectors and replace with desired gas type injectors and new washers. Tighten injectors using a torque wrench set at 26Nm.
9. Remove pilot burner and change pilot injector to desired gas type.
10. Remove regulator screw cap from top of gas valve
11. Turn plastic plug anti-clockwise until fully removed and withdraw spring.
12. Insert spring for desired gas type and re-install plastic plug.
13. Re-install burner assembly and reconnect gas supply.
14. Check gas system for leaks.
15. Commence lighting procedure as described above.
16. Adjust burner pressure as described above.

MX 125 MX 150 MX 200 MX 250 MX 300 MX 400			
GAS TYPE	INJECTOR SIZE	BURNER PRESSURE	PILOT INJECTOR
NATURAL	3.3 mm (3.4mm – MX125)	0.82 kPa (0.75 kPa MX 400)	N18 (Silver)
PROPANE	1.9 mm	2.50 kPa	N10 (black)
ULPG	1.9 mm	2.00 kPa	N10 (black)

MX 500			
GAS TYPE	INJECTOR SIZE	BURNER PRESSURE	PILOT INJECTOR
NATURAL	3.3 mm	0.78 kPa	1.00 mm
PROPANE	1.9 mm	2.50 kPa	0.80 mm
ULPG	1.9 mm	2.00 kPa	0.80 mm

GAS PIPE SIZING TABLES

1.13 kPa gas meter pressure					
VICTORIA					
Maximum run of copper pipe with average number of fittings					
Model	20 mm	25 mm	32 mm	40 mm	50 mm
MX 125	4 m	25 m	90 m	260 m	320 m
MX 150	2 m	14 m	50 m	140 m	320m
MX 200	2 m	8 m	30 m	75 m	320 m
MX 250	-	6 m	18 m	45 m	220 m
MX 300	-	4 m	14 m	35 m	140 m
MX 400	-	3 m	8 m	20 m	90 m
MX 500	-	1	6 m	14 m	60 m

1.25 kPa gas meter pressure					
S.A., W.A., some areas N.S.W.					
Maximum run of copper pipe with average number of fittings					
Model	20 mm	25 mm	32 mm	40 mm	50 mm
MX 125	18 m	85 m	300 m	320 m	-
MX 150	10 m	45 m	160 m	320 m	-
MX 200	6 m	25 m	90 m	240 m	320 m
MX 250	4 m	18 m	60 m	160 m	320 m
MX 300	3 m	14 m	45 m	110 m	320 m
MX 400	2 m	8 m	25 m	70 m	300 m
MX 500	-	6 m	18 m	45 m	200 m

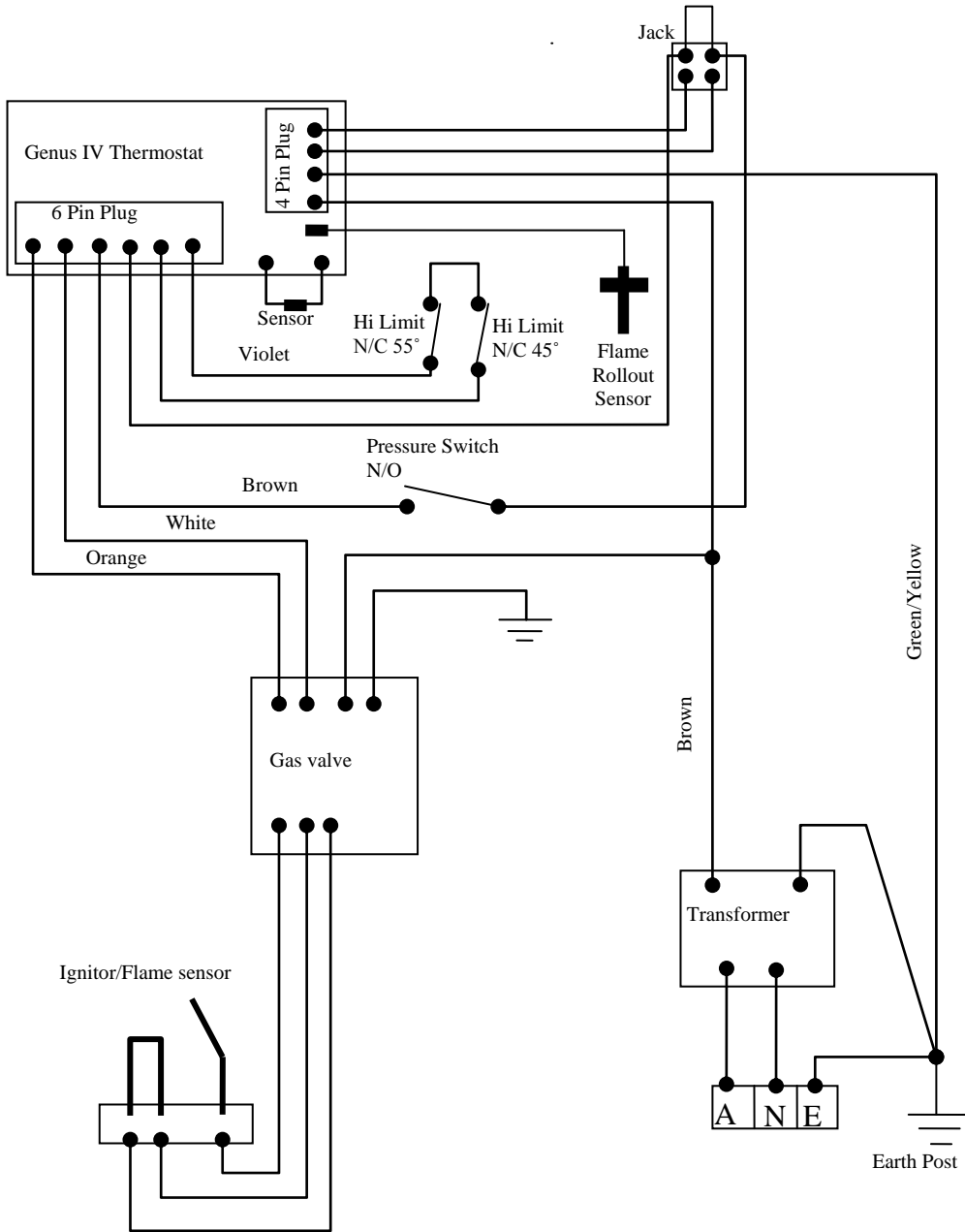
2.75 kPa gas meter pressure				
N.S.W. some areas				
Maximum run of copper pipe with average number of fittings				
Model	15 mm	20 mm	25 mm	32 mm
MX 125	12 m	100 m	320+m	-
MX 150	8 m	65 m	260 m	320+m
MX 200	4 m	40 m	160 m	320+ m
MX 250	3 m	25 m	100 m	320+ m
MX 300	2 m	20 m	85 m	280 m
MX 400	-	12 m	50 m	160 m
MX 500	-	8 m	35 m	100 m

TROUBLESHOOTING

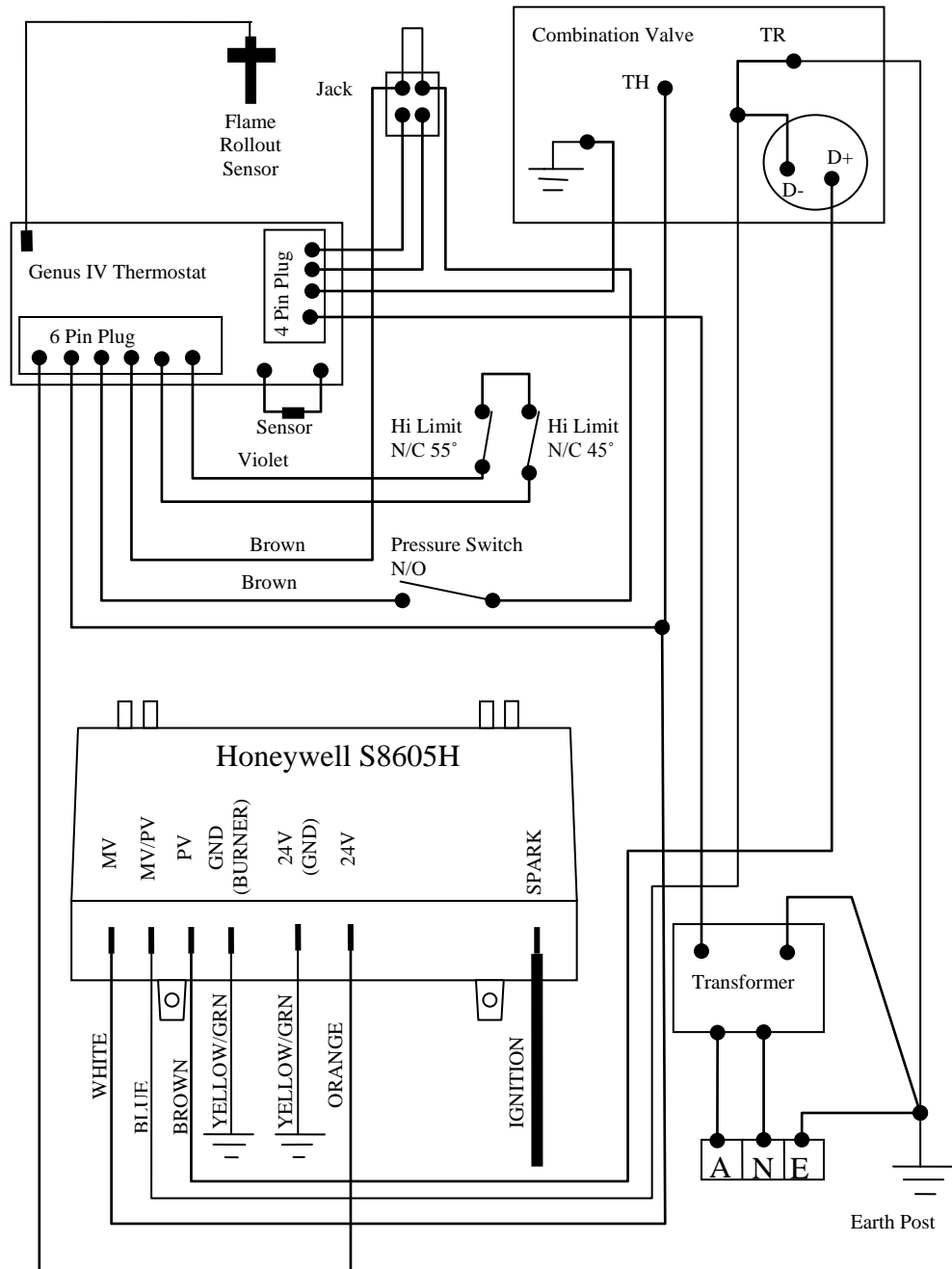
HEATER WILL NOT LIGHT	
Possible cause	Remedy
Automatic ignition system fails	Check if power to heater is turned on and pump is in operation
Pump not running	Start pump
Pump airlocked	Check for leaks
Filter dirty	Clean filter
Pump strainer basket clogged	Clean strainer
Defective gas control	Shut off gas supply and call for service
Thermostat turned off	Turn on
Set temperature lower than water temperature	Increase set temperature
Water too hot-fault condition displayed	Refer to fault indication table
HEATER SHORT CYCLING (RAPID ON AND OFF OPERATION)	
Possible cause	Remedy
Insufficient water flow	Clean filter and pump strainer
Defective wiring	Repair or replace wiring
Defective high limit or thermostat	Repair or replace
HEATER MAKING KNOCKING NOISES	
Possible cause	Remedy
Heater operating after pump has shut off	Shut off gas supply and call for service
Heat exchanger scaled	Shut off gas supply and call for service

If the heater cannot be made to perform correctly, please contact the Hurlcon office closest to you.

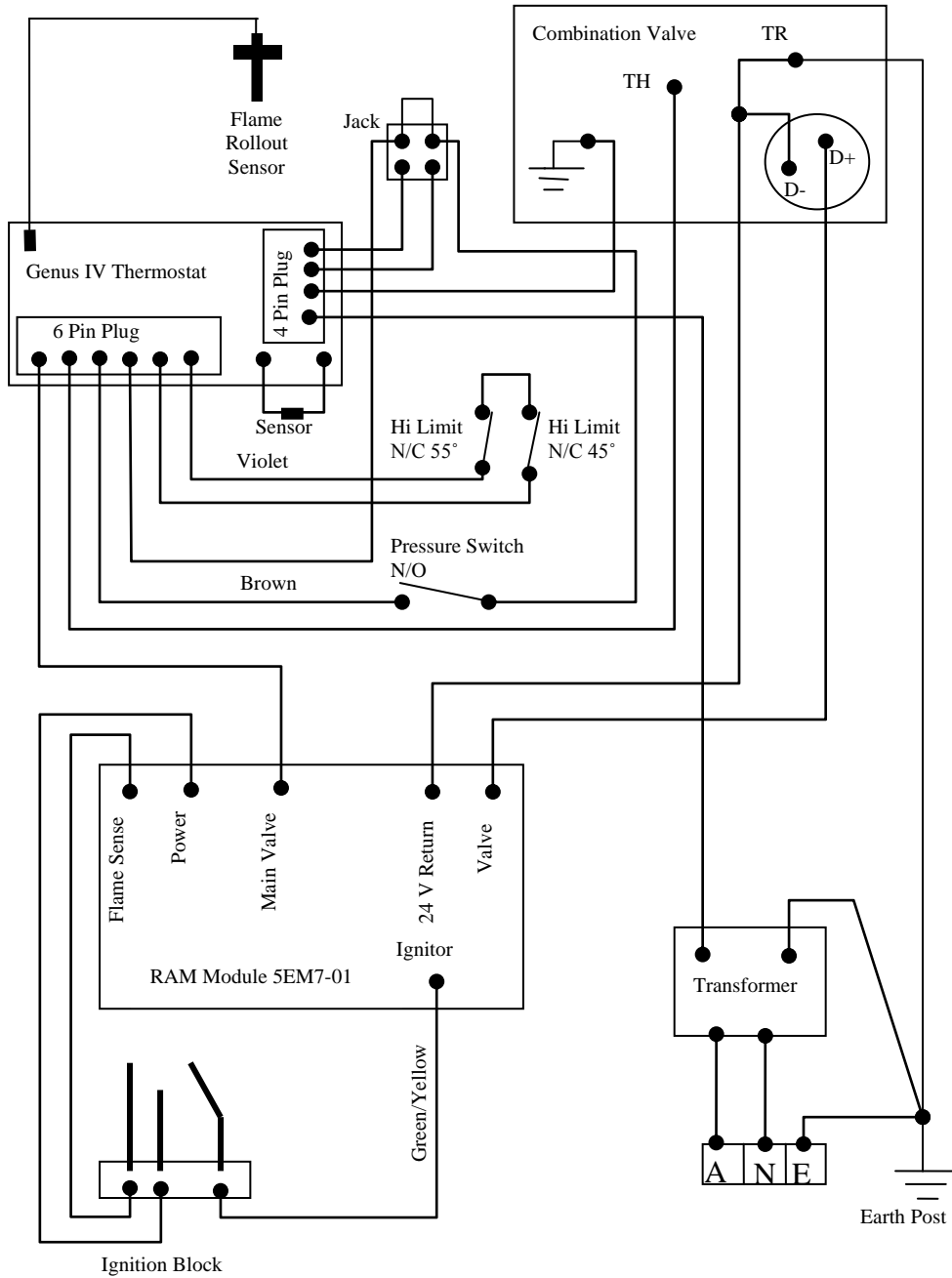
MX SERIES WIRING DIAGRAM (MX 125,150,200.250,300,400)



MX 500 WIRING DIAGRAM (Honeywell Ignition control)



MX 500 WIRING DIAGRAM (RAM Ignition Control)



Maintenance of your heater

Maintenance Schedule: Your new product incorporates moving parts and withstands high velocity water with chemicals in it. Some of these parts will wear in the normal course of use and require regular checks and maintenance. Performing these checks and maintenance will identify parts that have worn and require repair/replacement before further serious damage is sustained. A small amount of regular care and attention to your pool equipment will help ensure long life and trouble free performance.

Timing	Maintenance Check	Service action (if required)
Monthly	Operate heater for 15 min to clear residues and ensure correct operation	Start circulation pump and turn heater on, leaving to run for a few minutes. This will clear flue passages and keep components working properly
Three Monthly	Check inlet/outlet o'rings for leaks	Isolate Pump, turn power off, clean and grease O rings or replace if necessary
Three Monthly	Check surroundings for leaves, debris and flooding	Remove debris from around the base of the heater and rectify if any flooding. Clear vegetation from around the flue
Annually	Check gas pressures	Call Service technician to perform annual gas checks and routine maintenance

Important note: Regular maintenance is important to ensure long life and trouble free performance of your pool equipment. If unable to perform the maintenance yourself, contact your local AstralPool office who will arrange a trained service technician to perform the maintenance for you.

Record your Equipment details here for quick reference:

Model No.: _____

Serial No.: _____

Notes:

FIVE YEAR PRO RATA WARRANTY

AstralPool cover your Hurlcon MX Series pool and spa heater with a limited 5 year Pro Rata warranty against defective materials and workmanship from the date of purchase (plus 30 days to allow for installation).

1. The cabinet, refractory insulation and combustion chamber are covered for a period of five years (plus 30 days to allow for installation).
2. The heat exchanger, burners, inlet and return water headers are covered for a period of two years (plus 30 days to allow for installation).
3. Components such as gas valve, thermostat, pilot, wiring, gaskets and all other parts are covered for a period of one year (plus 30 days to allow for installation)

The warranty includes 12 months in field labour costs where the heater is installed in a capital city metropolitan area or within a 20 km radius of an Authorised AstralPool Service Agent.

Like your motor vehicle, your new heater requires periodic service and maintenance to keep it operating in top condition and at maximum efficiency. An annual service by one of our qualified service technicians is highly recommended.

Limitations

All warranties only apply if the heater is installed and operated in complete compliance with the installation and operating instructions. The warranty shall not apply to any heaters or parts which have been subject to accident, negligence, alteration, abuse or misuse.

Corrosion of the heat exchanger is caused by improper water chemical balance and will void all warranties. Refer to Installation and Operating Instructions for water balance guide. AstralPool assumes no liability for consequential damages of any kind. In field labour warranty is applicable in capital city metropolitan areas and within a 20 km radius of AstralPool Authorised Service Agents. Should you request a warranty service call and the problem is diagnosed as non-warrantable, you will be charged for a diagnostic service call plus any parts and labour required to repair the heater. No person is authorised to make any representations on behalf of AstralPool.

Commercial Installations

On commercial installations, such as health clubs, motels/hotels and hydrotherapy facilities, parts and in field labour warranty (within capital city metropolitan areas or 20 km radius of Authorised Service Agents) is 12 months from the date of purchase plus 30 days.

ASTRALPOOL Pty. Limited. A.B.N. 97 007 284 504
www.astralpool.com.au email: service@astralpool.com.au
Information and specifications subject to change without notice.

Victoria:	New South Wales:	Queensland:	South Australia:	Western Australia:	Gold Coast:	Townsville:
Ph: (03) 8796 8600	Ph: (02) 9853 2100	Ph: (07) 3308 5400	Ph: (08) 8152 7600	Ph: (08) 9350 2600	Ph: (07) 5552 2600	Ph: (07) 4750 3100
Fax: (03) 8796 8670	Fax: (02) 98532170	Fax: (07) 3308 5470	Fax: (08) 81527670	Fax: (08) 9350 2670	Fax: (07) 5552 2670	Fax: (07) 4750 3170